

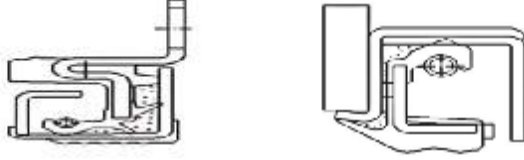
WinTeK Sealing Industrial Co., Ltd.

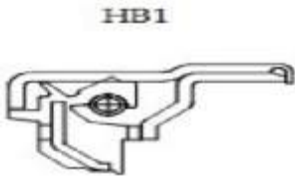


ADDRESS: No.1-7, Shichuan Rd., Caotun Township, Nantou County 54254, Taiwan R.O.C

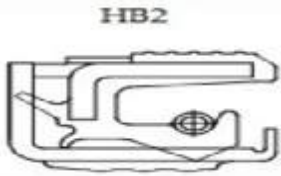


TEL: +886 49 231-9788 FAX: +886 49 231-1388 E-MAIL: Service@wtk-sealing.com.tw

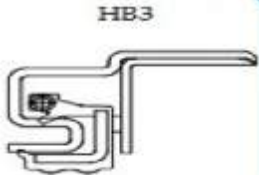


WEBSITE: www.wtk-sealing.com.tw

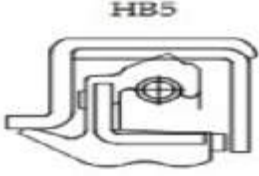




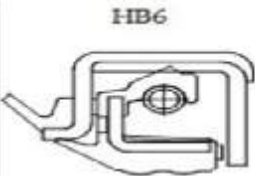


HB						
						
TYPE	SHAFT	BORE	HEIGHT	SIZE	MATERIAL	WTK #
HB	90	127.6/154	14.5/16	90*127.6/154*14.5/16	NBR	WT04243-1C
HB	125	160	18	125*160*18	NBR	WT00009-1A

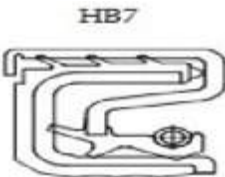


HB1						
  						
TYPE	SHAFT	BORE	HEIGHT	SIZE	MATERIAL	WTK #
HB1	4.250	6.254	1.250	4.250*6.254*1.250	NBR	WT02386-1A
HB1	4.375	6.003	1.047	4.375*6.003*1.047	NBR	WT01713-1A
HB1	4.766	6.311	1.125	4.766*6.311*1.125	NBR	WT00304-1B
HB1	4.625	6.001	1.063	4.625*6.001*1.063	NBR	WT02550-1A

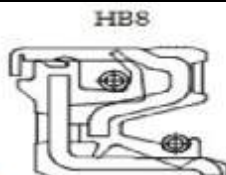


HB2						
  						
TYPE	SHAFT	BORE	HEIGHT	SIZE	MATERIAL	WTK #
HB2	2.500	3.500	0.515	2.500*3.500*0.515	NBR	WT05159-1A
HB2	3.500	4.842	0.903	3.500*4.842*0.903	NBR	WT02549-1A
HB2	4.000	5.000	0.625	4.000*5.000*0.625	NBR	WT05036-1A
HB2	4.250	6.009	0.581/0.971	4.250*6.009*0.581/0.971	NBR	WT04893-1A
HB2	4.500	5.500	0.625	4.500*5.500*0.625	NBR	WT05035-1A
HB2	4.625	6.001	0.562/0.912	4.625*6.001*0.562/0.912	NBR	WT04892-1A
HB2	7.000	8.000	0.750	7.000*8.000*0.750	NBR	WT05117-1A
HB2	127	152.4	12.7	127*152.4*12.7	VITON	WT02125-1A

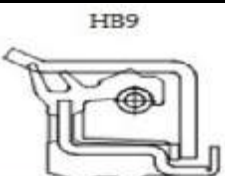


HB3						
  						
TYPE	SHAFT	BORE	HEIGHT	SIZE	MATERIAL	WTK #
HB3	4.875	6.500	1.000	4.875*6.500*1.000	NBR	WT04232-1A

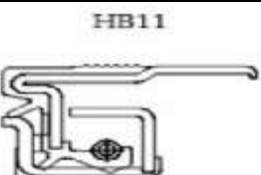
HB5						
  						
TYPE	SHAFT	BORE	HEIGHT	SIZE	MATERIAL	WTK #
HB5	111	146	17	111*146*17	NBR	WT02912-1B
HB5	130	170	17	130*170*17	VITON	WT04303-1A
HB5	143.3	190.5	16	143.3*190.5*16	NBR	WT00188-1B
HB5	149.9	176	16	149.9*176*16	NBR	WT02847-1A
HB5	149.9	176	16	149.9*176*16	NBR	WT03250-1B
HB5	149.9	176	16	149.9*176*16	NBR	WT03279-1A

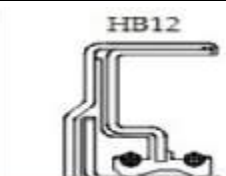


HB6							
							
TYPE	SHAFT	BORE	HEIGHT	SIZE	MATERIAL	WTK #	
HB6	110	140	14/21.5	110*140*14/21.5	NBR	WT02177-1A	
HB6	150	176	13.5/19	150*176*13.5/19	NBR	WT00015-1B	

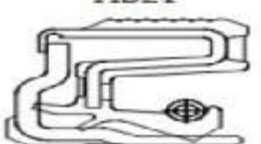
HB7							
							
TYPE	SHAFT	BORE	HEIGHT	SIZE	MATERIAL	WTK #	
HB7	121.8	150	13	121.8*150*13	NBR	WT00191-1C	

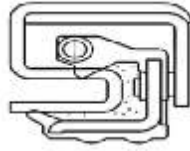
HB8							
							
TYPE	SHAFT	BORE	HEIGHT	SIZE	MATERIAL	WTK #	
HB8	85	115	12	85*115*12	VITON	WT04995-1A	
HB8	130	160	14.5/16	130*160*14.5/16	NBR	WT03152-1A	
HB8	130	160	14.5/16	130*160*14.5/16	VITON / NBR	WT02896-1A	
HB8	150	180	14.5/16	150*180*14.5/16	VITON / NBR	WT02544-1A	
HB8	150	180	14.5/16	150*180*14.5/16	NBR	WT00225-1A	
HB8	165	195	16.5/18	165*195*16.5/18	VITON / NBR	WT00319-1A	

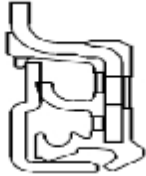


HB9							
							
TYPE	SHAFT	BORE	HEIGHT	SIZE	MATERIAL	WTK #	
HB9	130	160	15.5/20	130*160*15.5/20	NBR	WT00320-1A	
HB9	130	170	18/20	130*170*18/20	VITON	WT02628-1B	

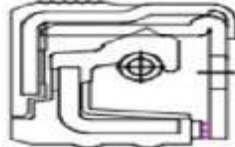
HB11							
							
TYPE	SHAFT	BORE	HEIGHT	SIZE	MATERIAL	WTK #	
HB11	4.625	6.000	1.000	4.625*6.000*1.000	NBR	WT02365-1A	
HB11	4.625	6.000	1.000	4.625*6.000*1.000	NBR	WT02366-1A	

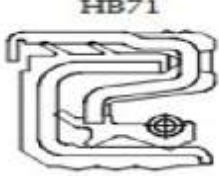


HB12							
							
TYPE	SHAFT	BORE	HEIGHT	SIZE	MATERIAL	WTK #	
HB12	5.000	7.500	0.875	5.000*7.500*0.875	NBR	WT02915-1A	





HB21							
							
TYPE	SHAFT	BORE	HEIGHT	SIZE	MATERIAL	WTK #	
HB21	120	150	13.9/15.5	120*150*13.9/15.5	NBR	WT02722-1A	

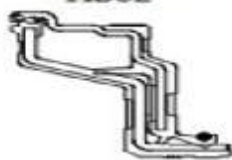
HB31						
						
TYPE	SHAFT	BORE	HEIGHT	SIZE	MATERIAL	WTK #
HB31	5.000	6.250	0.605	5.000*6.250*0.605	NBR	WT05187-1A

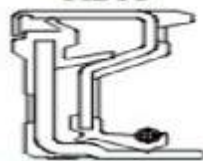

HB41						
  						
TYPE	SHAFT	BORE	HEIGHT	SIZE	MATERIAL	WTK #
HB41	98	125.15/133.8	9.6	98*125.15/133.8*9.6	VITON	WT05172-1A
HB41	125	148.3/156.4	9.3	125*148.3/156.4*9.3	VITON	WT05174-1A

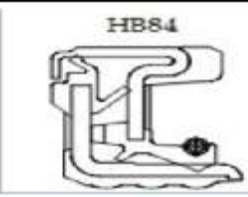


HB61						
						
TYPE	SHAFT	BORE	HEIGHT	SIZE	MATERIAL	WTK #
HB61	2.875	3.875	0.515	2.875*3.875*0.515	NBR	WT03503-1A




HB71						
  						
TYPE	SHAFT	BORE	HEIGHT	SIZE	MATERIAL	WTK #
HB71	121.8	150	13	121.8*150*13	VITON / NBR	WT02895-1B

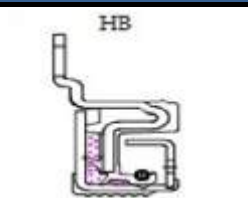

HB81						
   						
TYPE	SHAFT	BORE	HEIGHT	SIZE	MATERIAL	WTK #
HB81	25	52	12	25*52*12	NBR	WT04963-1A
HB81	45	70	14/17	45*70*14/17	NBR	WT02756-1A
HB81	48	75	15/17	48*75*15/17	NBR	WT02708-1A
HB81	127	160	15.5/17.5	127*160*15.5/17.5	NBR	WT02474A
HB81	127	160	15.5/17.5	127*160*15.5/17.5	NBR	WT02511A

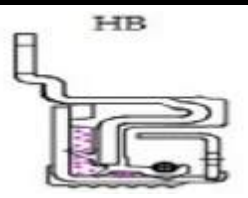

HB82						
						
TYPE	SHAFT	BORE	HEIGHT	SIZE	MATERIAL	WTK #
HB82	35	92/98	13/27	35*92/98*13/27	NBR	WT02916-1A

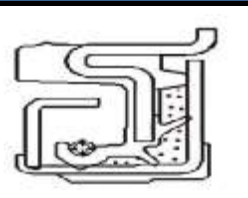

HB83						
 						
TYPE	SHAFT	BORE	HEIGHT	SIZE	MATERIAL	WTK #
HB83	37	85	15/15.5	37*85*15/15.5	VITON / NBR	WT03622-1A
HB83	40	80	14/15	40*80*14/15	VITON / NBR	WT03035-1A

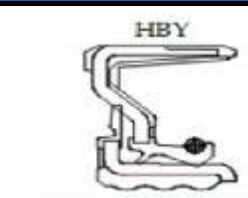
HB84							
							
TYPE	SHAFT	BORE	HEIGHT	SIZE	MATERIAL	WTK #	
HB84	100	130	13/14.5	100*130*13/14.5	NBR	WT03068-1A	
HB84	100	130	13/14.5	100*130*13/14.5	VITON / NBR	WT03058-1A	
HB84	110	140	14.5/16	110*140*14.5/16	NBR	WT03067-1A	
HB84	165	190	15.5/17	165*190*15.5/17	NBR	WT03106-1A	

HB85							
							
TYPE	SHAFT	BORE	HEIGHT	SIZE	MATERIAL	WTK #	
HB85	85	115	12	85*115*12	VITON	WT04995A	
HB85	145	189	15.5/17	145*189*15.5/17	NBR	WT02046-1A	
HB85	150.15	178	13/16	150.15*178*13/16	NBR	WT04559-1A	
HB85	210	240	16/18	210*240*16/18	NBR	WT01532-1B	

HB-80 Holes							
							
TYPE	SHAFT	BORE	HEIGHT	SIZE	MATERIAL	WTK #	
HB-80 Holes	90	127.6/160	14.5/16	90*127.6/160*14.5/16	NBR	WT04243A	
HB-80 Holes	108	152.6/185	15/19.5	108*152.6/185*15/19.5	NBR	WT02713-1A	
HB-80 Holes	108	152.6/185	15/19.5	108*152.6/185*15/19.5	NBR	WT00230-1A	
HB-80 Holes	110	152.6/185	15/19.5	110*152.6/185*15/19.5	NBR	WT02710-1A	
HB-80 Holes	110	152.6/185	15/19.5	110*152.6/185*15/19.5	NBR	WT00094-1A	

HB-100 Holes							
							
TYPE	SHAFT	BORE	HEIGHT	SIZE	MATERIAL	WTK #	
HB-100 Holes	108	152.6/185	15/19.5	108*152.6/185*15/19.5	NBR	WT02712-1A	
HB-100 Holes	108	152.6/185	15/19.5	108*152.6/185*15/19.5	NBR	WT00229-1A	
HB-100 Holes	110	152.6/185	15/19.5	110*152.6/185*15/19.5	NBR	WT02709-1A	
HB-100 Holes	110	152.6/185	15/19.5	110*152.6/185*15/19.5	NBR	WT00093-1A	

HB-NO Holes							
							
TYPE	SHAFT	BORE	HEIGHT	SIZE	MATERIAL	WTK #	
HB-NO Holes	90	127.6/132	14.5/16	90*127.6/132*14.5/16	NBR	WT04528-1A	
HB-NO Holes	108	152.6/159.8	15/16.8	108*152.6/159.8*15/16.8	NBR	WT00231-1A	
HB-NO Holes	108	152.6/159.8	15/16.8	108*152.6/159.8*15/16.8	NBR	WT02714-1A	
HB-NO Holes	110	152.6/159.8	15/16.8	110*152.6/159.8*15/16.8	NBR	WT02711-1A	
HB-NO Holes	110	152.6/159.8	15/16.8	110*152.6/159.8*15/16.8	NBR	WT00228-1A	
HB-NO Holes	145	185/192	15/16.8	145*185/192*15/16.8	NBR	WT04514-1A	

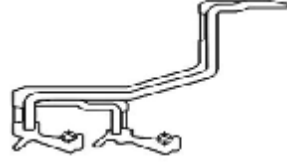
HBY							
							
TYPE	SHAFT	BORE	HEIGHT	SIZE	MATERIAL	WTK #	
HBY	85	115	12	85*115*12	NBR	WT01487-1A	
HBY	85	115	12	85*115*12	VITON	WT01487-1A	
HBY	66.7	89	24.8	66.7*89*24.8	VITON / ACM	WT03290-1A	
HBY	4.625	6.000	0.649	4.625*6.000*0.649	NBR	WT04374-1B	

HBY-PL1

HBY-PL



TYPE	SHAFT	BORE	HEIGHT	SIZE	MATERIAL	WTK #
HBY-PL1	66.7	89	24.8	66.7*89*24.8	VITON / ACM	WT03290A

T10AWW2

TYPE	SHAFT	BORE	HEIGHT	SIZE	MATERIAL	WTK #
T10AWW2	85	145	12/37	85*145*12/37	NBR / VITON	WT03084-1A