
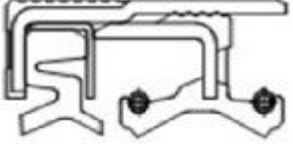


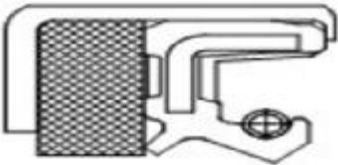
WinTeK Sealing Industrial Co., Ltd.

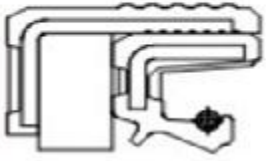
ADDRESS: No.1-7, Shichuan Rd., Caotun Township, Nantou County 54254, Taiwan R.O.C
 TEL: +886 49 231-9788 FAX: +886 49 231-1388 E-MAIL: Service@wtk-sealing.com.tw
 WEBSITE: www.wtk-sealing.com.tw

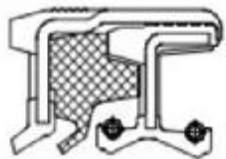



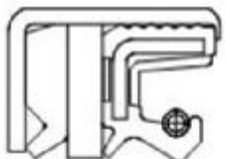

CA1						
						
TYPE	SHAFT	BORE	HEIGHT	SIZE	MATERIAL	WTK#
CA1	35	52	16	35*52*16	VITON / PU	WT00088-1A
CA1	46.15	80	16.5	46.15*80*16.5	NBR / PU	WT02512-1A
CA1	46.15	80	16.5	46.15*80*16.5	NBR / PU	WT03749-1A
CA1Y	56	75	22.5	56*75*22.5	NBR / PU / NYLON	WT05548-1A

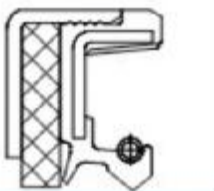


CA2						
						
TYPE	SHAFT	BORE	HEIGHT	SIZE	MATERIAL	WTK#
CA2	40	60	25	40*60*25	NBR	WT00253-1A
CA2	45	65	25	45*65*25	NBR / PU	WT05126-1A


CA3						
						
TYPE	SHAFT	BORE	HEIGHT	SIZE	MATERIAL	WTK#
CA3	40	55	10	40*55*10	NBR	WT01122-1A
CA3	48	65	11	48*65*11	NBR	WT01141-1A
CA3	30	44	11	30*44*11	NBR	WT02307-1A
CA3	35	52	16	35*52*16	NBR	WT03374-1A
CA3	65	92	14	65*92*14	NBR	WT02424-1A
CA3	105	130	12	105*130*12	NBR	WT03004-1A



CA3Y						
						
TYPE	SHAFT	BORE	HEIGHT	SIZE	MATERIAL	WTK#
CA3Y	19.05	35	12	19.05*35*12	NBR	WT03003-1A

CA4						
						
TYPE	SHAFT	BORE	HEIGHT	SIZE	MATERIAL	WTK#
CA4	65	90	20	65*90*20	NBR / PU	WT01531-1A

CA5						
						
TYPE	SHAFT	BORE	HEIGHT	SIZE	MATERIAL	WTK#
CA5	45	65	15	45*65*15	NBR / PU	WT02519-1A
CA5	45	65	15	45*65*15	NBR / PU	WT03750-1A

CA6						
				 		
TYPE	SHAFT	BORE	HEIGHT	SIZE	MATERIAL	WTK#
CA6	55	90	16	55*90*16	NBR	WT02690-1A

CA61							
							
TYPE	SHAFT	BORE	HEIGHT	SIZE	MATERIAL	WTK#	
CA61	37	52	14.2	37*52*14.2	NBR / PU	WT04499-1A	

CAY						
						
TYPE	SHAFT	BORE	HEIGHT	SIZE	MATERIAL	WTK#
CAY	92.07	136.48	12/17.5	92.07*136.48*12/17.5	NBR	WT01327-1A
CAY	95	125	20	95*125*20	NBR / PU	WT04483-1A
CAY	100	130	20	100*130*20	NBR / PU	WT04484-1A
CAY	130	160	20	130*160*20	NBR	WT03425-1A